

RAM PROMASTER CITY 2024



UPFIT GUIDE





HELPING MOBILE TECHNICIANS WORK MORE EFFECTIVELY BY PROVIDING ORGANIZED STORAGE SOLUTIONS

**AT RANGER DESIGN,
WE BELIEVE MORE IS POSSIBLE.**

We believe work vehicles and the technicians who drive them can become more organized, efficient, productive, and profitable. At Ranger Design, we are committed to providing you with the products and services that make this possible.

More means helping you choose the right work van for your application, as well as giving you engineering support and expert advice to help design the most efficient work space in your new vehicle.

More also means getting that new van outfitted and on the road faster, so you can start using it for the reason you bought it.

We're committed to bringing you more, because we believe more is possible.





CONTRACTOR

P. 6



SERVICE

P. 7



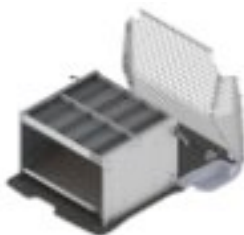
ELECTRICAL

P. 8



HVAC

P. 9



DELIVERY

P. 10



STORAGE UNITS

P. 11



ACCESSORIES

P. 12



LADDER RACKS

P. 14

Large Distributor Network Across the Continent

Buy

Ranger Design Quickship service is available through your local distributor. rangerdesign.com/find-distributor

Lead Time

Quickship orders placed before 1PM EST, will ship from our factory in the next business day.



All products with this symbol are available on Quickship

HOW TO USE THE LAYOUT GUIDE

INSIDE ROOF HEIGHT

To determine the maximum shelf height that can be used in the van.

PARTITION DEPTH

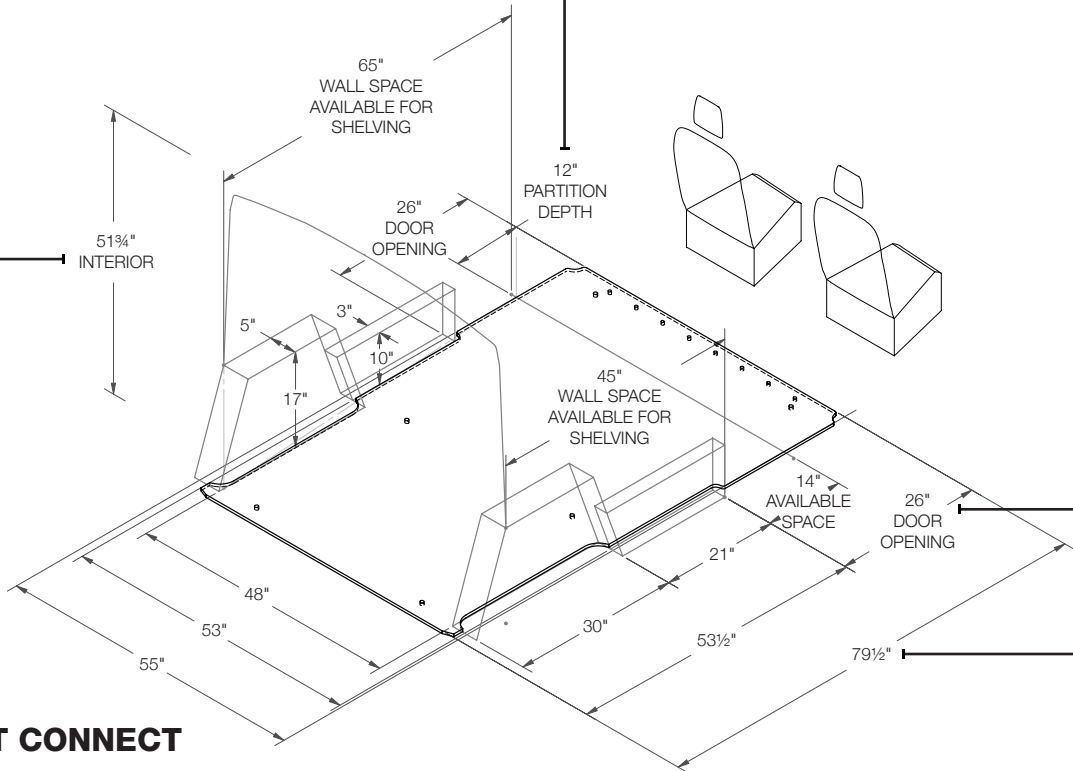
This indicates the space taken up by our partition for this vehicle. Please note that this measurement is determined by the partition that encroaches the most. Some partitions may take up less space. Take note that this measurement may not necessarily be on the floor.

DOOR OPENING

To determine where shelving will land in relation to the door opening. Use this measurement to determine the space available for drawer units.

FLOOR SPACE

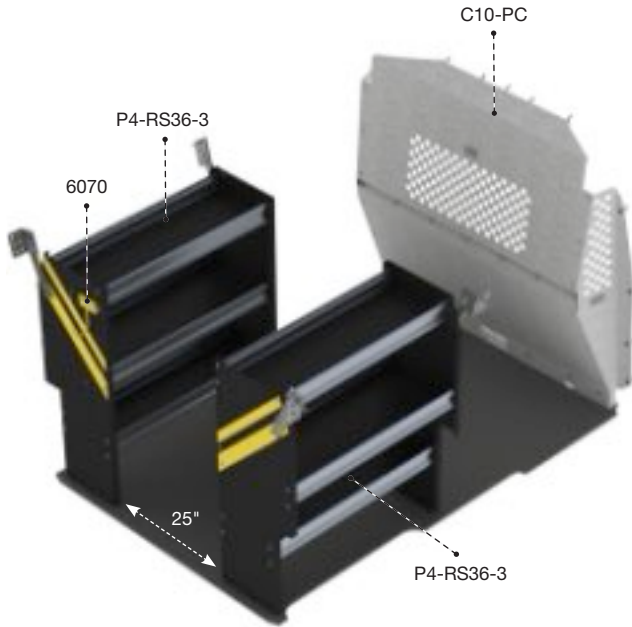
This area is usable floor space but due to curvature of the van there may not be the same available area at the roof. Please measure actual van for specific measurement at roof.



FORD TRANSIT CONNECT
Standard 122" Wheelbase

CONTRACTOR

CONTRACTOR

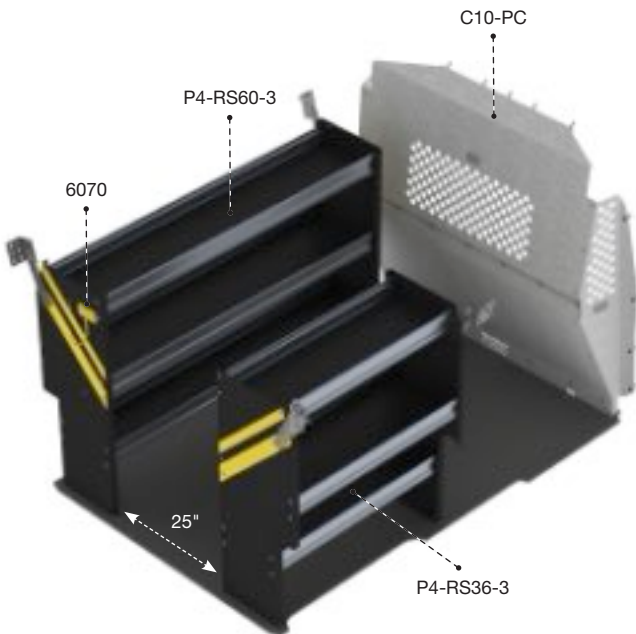


PMC-10 CONTRACTOR


| | | |
|---|---|--|
|  Steel |  122" |  Standard |
|  156 lbs |  3.2 hrs |  Yes |

| Qty | Part # | Description |
|-----|-----------|--|
| 1 | 6070 | 6" Hook, 3" opening, painted |
| 1 | C10-PC | Contoured steel partition with perforated window |
| 2 | P4-RS36-3 | Steel shelving unit, 14" D x 36" W x 42" H |

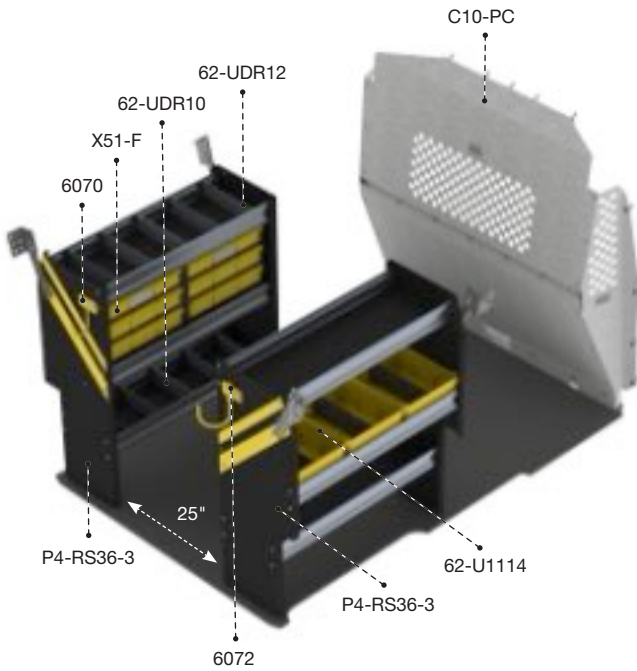
VISIT
RANGERDESIGN.COM
TO VIEW OUR
SAFETY PARTITIONS:









PMD-10 CONTRACTOR

| | | |
|---|---|--|
|  Steel |  122" |  Standard |
|  170 lbs |  3.2 hrs |  Yes |

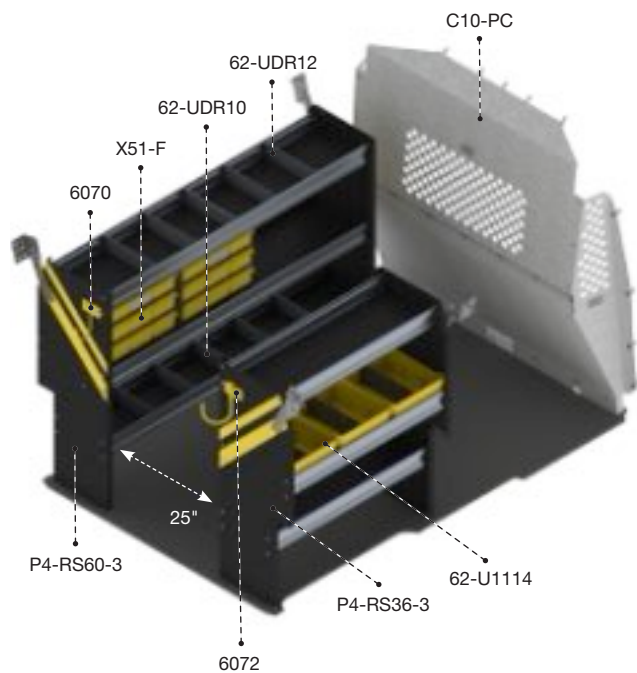
| Qty | Part # | Description |
|-----|-----------|--|
| 1 | 6070 | 6" Hook, 3" opening, painted |
| 1 | C10-PC | Contoured steel partition with perforated window |
| 1 | P4-RS36-3 | Steel shelving unit, 14" D x 36" W x 42" H |
| 1 | P4-RS60-3 | Steel shelving unit, 14" D x 60" W x 42" H |







PMC-16 SERVICE

| | | |
|---|---|--|
|  Steel |  122" |  Standard |
|  223 lbs |  4 hrs |  Yes |

| Qty | Part # | Description |
|-----|-----------|--|
| 1 | 6070 | 6" Hook, 3" opening, painted |
| 1 | 6072 | 8" Swivel hook, 4" opening, painted |
| 3 | 62-U1114 | 14" Deep plastic bin |
| 1 | 62-UDR10 | Set of 5 dividers for a 10" shelf |
| 1 | 62-UDR12 | Set of 5 dividers for a 12" shelf |
| 1 | C10-PC | Contoured steel partition with perforated window |
| 2 | P4-RS36-3 | Steel shelving units, 14" D x 36" W x 42" H |
| 2 | X51-F | Compact 9-drawer unit |



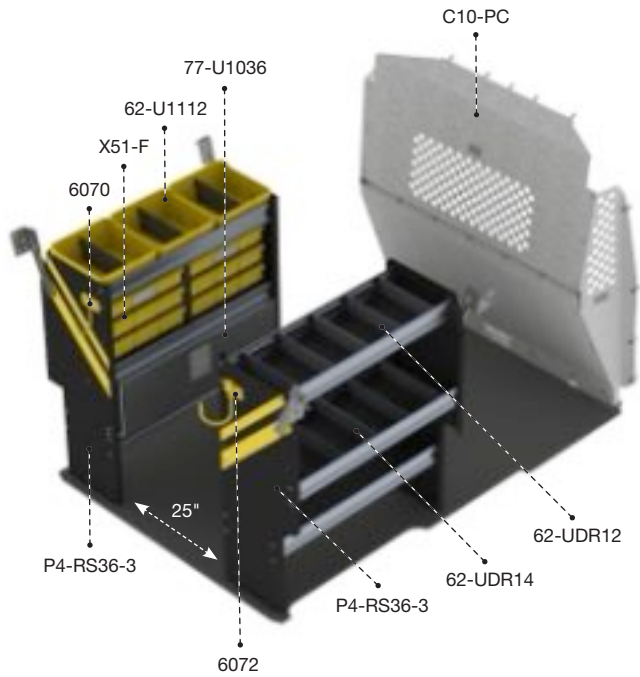
PMD-16 SERVICE

| | | |
|---|---|--|
|  Steel |  122" |  Standard |
|  237 lbs |  4 hrs |  Yes |







| Qty | Part # | Description |
|-----|-----------|--|
| 1 | 6070 | 6" Hook, 3" opening, painted |
| 1 | 6072 | 8" Swivel hook, 4" opening, painted |
| 3 | 62-U1114 | 14" Deep plastic bin |
| 1 | 62-UDR10 | Set of 5 dividers for a 10" shelf |
| 1 | 62-UDR12 | Set of 5 dividers for a 12" shelf |
| 1 | C10-PC | Contoured steel partition with perforated window |
| 1 | P4-RS36-3 | Steel shelving unit, 14" D x 36" W x 42" H |
| 1 | P4-RS60-3 | Steel shelving unit, 14" D x 60" W x 42" H |
| 2 | X51-F | Compact 9-drawer unit |

ELECTRICAL

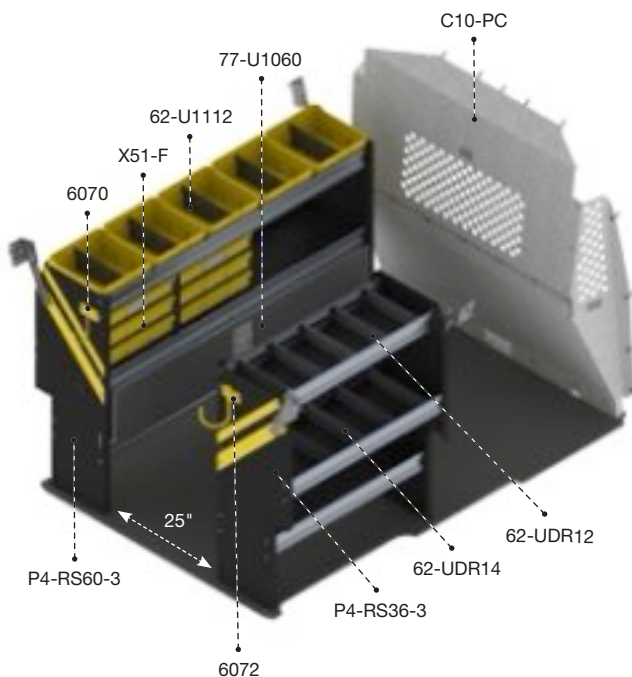
ELECTRICAL






PMC-11 ELECTRICAL

| | | |
|---|---|--|
|  Steel |  122" |  Standard |
|  230 lbs |  4.5 hrs |  Yes |

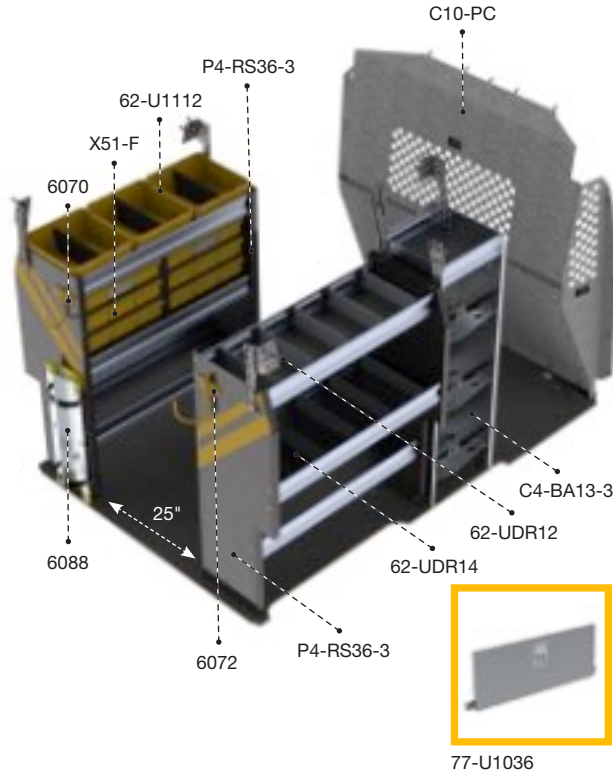
| Qty | Part # | Description |
|-----|-----------|---|
| 1 | 6070 | 6" Hook, 3" opening, painted |
| 1 | 6072 | 8" Swivel hook, 4" opening, painted |
| 3 | 62-U1112 | 12" Deep plastic bin |
| 1 | 62-UDR12 | Set of 5 dividers for a 12" shelf |
| 1 | 62-UDR14 | Set of 5 dividers for a 14" shelf |
| 1 | 77-U1036 | Adjustable shelving door unit - 33" W - for 36" & 72" shelves |
| 1 | C10-PC | Contoured steel partition with perforated window |
| 2 | P4-RS36-3 | Steel shelving units, 14" D x 36" H x 42" W |
| 2 | X51-F | Compact 9-drawer unit |









PMD-11 ELECTRICAL

| | | |
|---|---|--|
|  Steel |  122" |  Standard |
|  251 lbs |  4.5 hrs |  Yes |

| Qty | Part # | Description |
|-----|-----------|---|
| 1 | 6070 | 6" Hook, 3" opening, painted |
| 1 | 6072 | 8" Swivel hook, 4" opening, painted |
| 5 | 62-U1112 | 12" Deep plastic bin |
| 1 | 62-UDR12 | Set of 5 dividers for a 12" shelf |
| 1 | 62-UDR14 | Set of 5 dividers for a 14" shelf |
| 1 | 77-U1060 | Adjustable shelving door unit - 57" W - for 60" shelves |
| 1 | C10-PC | Contoured steel partition with perforated window |
| 1 | P4-RS36-3 | Steel shelving unit, 14" D x 36" H x 42" W |
| 1 | P4-RS60-3 | Steel shelving unit, 14" D x 60" H x 42" W |
| 2 | X51-F | Compact 9-drawer unit |

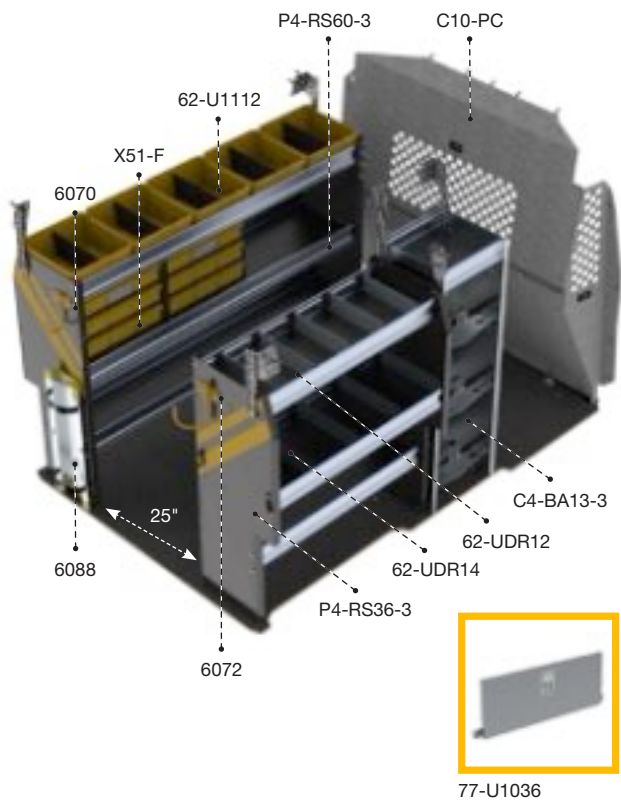


PMC-12 HVAC

| | | |
|---|---|--|
|  Steel |  122" |  Standard |
|  260 lbs |  5.3 hrs |  Yes |

| Qty | Part # | Description |
|-----|-----------|---|
| 1 | C4-BA13-3 | 3 Tier refrigerant rack for large bottles |
| 1 | 6070 | 6" Hook, 3" opening, painted |
| 1 | 6072 | 8" Swivel hook, 4" opening, painted |
| 1 | 6088 | Large aluminum bottle holder, with two black nylon straps |
| 3 | 62-U1112 | 12" Deep plastic bin |
| 1 | 62-UDR12 | Set of 5 dividers for a 12" shelf |
| 1 | 62-UDR14 | Set of 5 dividers for a 14" shelf |
| 1 | 77-U1036 | Adjustable shelving door unit - 33" W - for 36" & 72" shelves |
| 1 | C10-PC | Contoured steel partition with perforated window |
| 2 | P4-RS36-3 | Steel shelving units, 14" D x 36" W x 42" H |
| 2 | X51-F | Compact 9-drawer unit |

HVAC

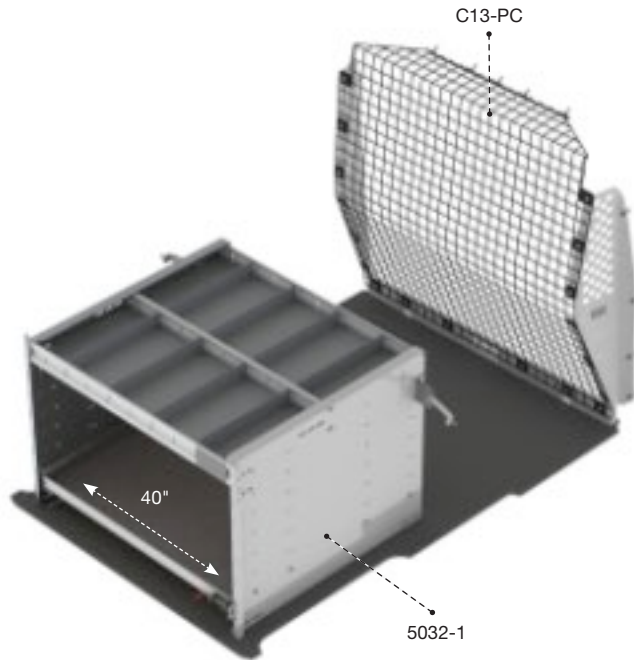


PMD-12 HVAC

| | | |
|---|---|--|
|  Steel |  122" |  Standard |
|  278 lbs |  5.3 hrs |  Yes |

| Qty | Part # | Description |
|-----|-----------|---|
| 1 | C4-BA13-3 | 3 Tier refrigerant rack for large bottles |
| 1 | 6070 | 6" Hook, 3" opening, painted |
| 1 | 6072 | 8" Swivel hook, 4" opening, painted |
| 1 | 6088 | Large aluminum bottle holder, with two black nylon straps |
| 5 | 62-U1112 | 12" Deep plastic bin |
| 1 | 62-UDR12 | Set of 5 dividers for a 12" shelf |
| 1 | 62-UDR14 | Set of 5 dividers for a 14" shelf |
| 1 | 77-U1036 | Adjustable shelving door unit - 33" W - for 36" & 72" shelves |
| 1 | C10-PC | Contoured steel partition with perforated window |
| 1 | P4-RS36-3 | Steel shelving unit, 14" D x 36" W x 42" H |
| 1 | P4-RS60-3 | Steel shelving unit, 14" D x 60" W x 42" H |
| 2 | X51-F | Compact 9-drawer unit |

DELIVERY

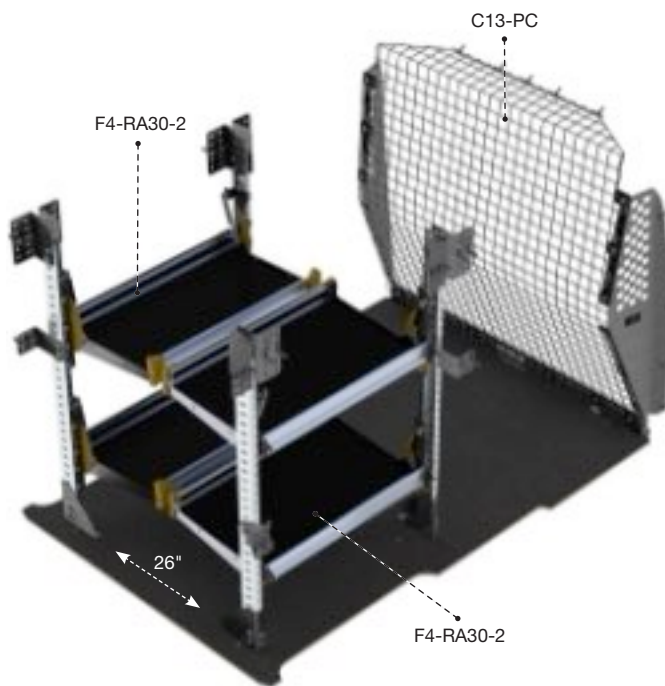


PMC-19 DELIVERY

| | | |
|----------|-------|----------|
| Aluminum | 122" | Standard |
| 161 lbs | 2 hrs | Yes |

| Qty | Part # | Description |
|-----|--------|---|
| 1 | 5032-1 | Axess tray with 1 shelf and 1 drawer, 38" D x 45" W x 30" H |
| 1 | C13-PC | Wire mesh partition, 38" D x 45" W x 30" H |

DELIVERY



PMD-19 DELIVERY

| | | |
|----------|---------|----------|
| Aluminum | 122" | Standard |
| 188 lbs | 4.2 hrs | Yes |

| Qty | Part # | Description |
|-----|-----------|---|
| 1 | C13-PC | Wire mesh partition |
| 2 | F4-RA30-2 | Fold-away unit, 2 levels, 22" D x 30" W x 47" H |

STORAGE UNITS

Ergonomic storage solutions for the cargo space in your vehicle.



CAN BE INSTALLED EITHER WAY



62-U5070

Partskeeper carry case with holder



62-U5074

Partskeeper floor mount cabinet with 4 carry cases



C2-PA18-4

Aluminum Partskeeper cabinet with 4 carry cases



C4-PA18-8

Aluminum Partskeeper cabinet with 8 carry cases



N4-PS20-8

Steel Partskeeper cabinet with 8 carry cases



N4-LS16-1

Locker with top shelf, (Comes with 2 hooks)



S2-WA48-0

Workbench, with hardwood top, one end panel, drawer cabinet not included

Compatible cabinet:
5067-6



S2-WA48-1

Workbench, with hardwood top, one end panel, drawer cabinet not included



62-U5079

Partskeeper carry case with 8 removable yellow bins

ACCESSORIES

ACCESSORIES

Choose the finishing details to tailor the upfit to your specific needs.

CARGO HOLDERS

Increase organization by giving a specific spot to store your equipment. Instead of being loose on the floor, your reels, cans etc. can be secured within easy reach from the door.



7124
Reel Holder with two 5/8" diameter rods



6057
Can Holder



6068
Hard Hat Holder, painted wire



6063
Paper Holder, extra deep, 5 slots

ACCESSORIES

STORAGE HOOKS

Keep frequently used items such as hats, vests and extension cords hanging within easy reach while on the road.



6070
6" Hook, 3" opening, painted



6071
Triple 6" Hook, 3" opening, painted



6073
Large aluminum movable Hook, 6.5" opening

GRAB HANDLES

It is always useful to have something to hold onto when climbing into your van. Grab handles can also be used to tie down extra cargo during transport.



6093-27
Large grab handle

EMERGENCY KIT

With 3 triangles per kit, and a holder to keep them secure while driving, the emergency kit is a good tool to have just in case of a breakdown on the highway.



LED LIGHTING

Keeps the cargo space bright, making visibility easy, no matter what time of day or night. Eliminate any chance of injury when searching through your tools in the dark.



6092-42
Universal LED light kit for vans (12V DC / 1200 Lm / 10W)

FLETTNER VENT

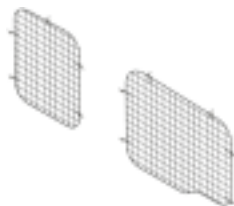
Guard yourself against smells or vapours that may build up in the cargo area. The Flettner vent is a simple way to stay healthy while on the job.



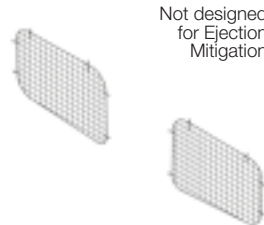
6050
Flettner vent, rotary design

WINDOW GRILLS

Protect your van against theft and prevent damage to the van during loading or unloading, with Ranger Design's window grills.



6134
Set of 2 rear window grills



Not designed for Ejection Mitigation

6135
Set of 2 rear sliding door window grills

SCAN AND VISIT OUR WEBSITE TO VIEW MORE ACCESSORIES



LADDER RACKS


LADDER RACKS

Increase the efficiency, cargo space and safety with the right roof rack for the job.



Cargo Rack

Aluminum

| PART |  |  |  |
|------------------|---|---|---|
| 1605-PC | 122" | Standard | - |
| 1605-PC3 - 3 Bar | 122" | Standard | - |



Combination Rack - 2 bar




Aluminum

| PART |  |  |  |
|---------|---|---|---|
| 1625-PC | 122" | Standard | 24 ft |



Double Clamp Rack

Aluminum

| PART |  |  |  |
|------------------|---|---|---|
| 1630-PC | 122" | Standard | 24 ft |
| 1630-PCX - 3 Bar | 122" | Standard | 28 ft |

VISIT OUR WEBSITE
FOR OUR FULL-LINE OF
LADDER RACKS



TURN-KEY FLEET SERVICES



Ship Through or Local Installation Across North America for all Types of Cargo Vans

We are pleased to offer an efficient, personalized service to answer all questions regarding:

1. Analysis

- › Cargo Needs Analysis
- › Custom 3D CAD Layouts
- › Hands-on Equipment Demo

2. Testing

- › Test Fitting
- › Pilot Build and Review
- › Package Optimization based on Technician Feedback

3. Delivery

- › Delivery, Production, Installation Planning and Scheduling
- › Vehicle Status Tracking

4. Service

- › Dedicated Fleet Account Management Team
- › Distributor Service Support Network
- › Live Customer Service



**MAXIMIZE CARGO CAPACITY &
VEHICLE PERFORMANCE WITH
ORGANIZED STORAGE SYSTEMS**

When you want the perfect upfit solution for your work vehicle, turn to Ranger Design. Crash-tested for toughness, Ranger Design's shelving and upfits will take whatever abuse you can dish out. Their unsurpassed craftsmanship, combined with ideal fit and finish, provide a quiet ride with no rattles.



CONTACT US

cs@rangerdesign.com

1-800-565-5321

rangerdesign.com

